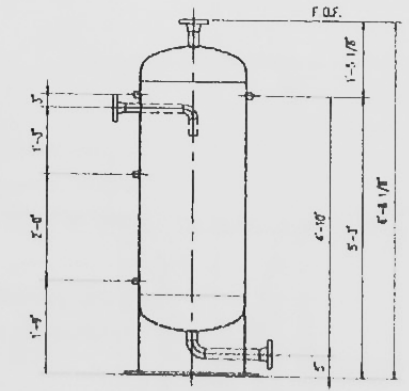
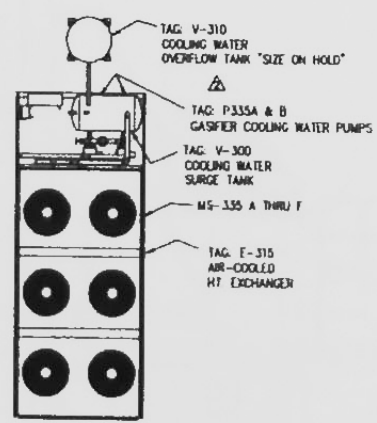
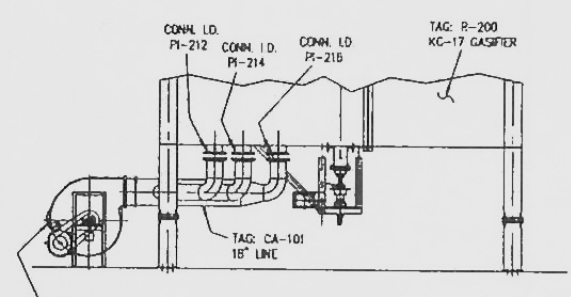


EQUIPMENT TAG #	CONNECTION I.D. #	ELEVATION
AB-750	MS-750	54'-7"
AB-750	LSH-750	45'-3"
AB-750	LSH-750	42'-3"
AB-750	LSL-750	31'-8"
EL-720	MS-720	75'-7"
EL-720	ST-720	7'-5"
AS-710	MS-710	7'-4"
AS-710	ST-710	8'-0"
EL-120	MS-120	34'-6"
EL-120	ST-120	7'-2"
AL-130	MS-130	15'-8"
AL-130	ST-130	5'-8"
IS-200	MS-200	3'-3"
IS-200	ST-200	13'-2"
R-200	TE/TW-210	35'-6"
R-200	TE/TW-202	32'-6"
AG-202	ST-202	3'-5"
AG-202	SC-202	3'-5"
B-210	MS-210	7'-0"
B-210	TE/TW-210	7'-0"
AL-207	MS-207	4'-0"
AL-207	ST-207	4'-0"
AS-204	MS-204	4'-11"
AS-204	ST-204	4'-11"
AS-204	TE/TW-204	5'-6"
AL-206	MS-206	7'-8"
AL-206	ST-206	7'-8"
CT-415	TE/TW-415	14'-3"
CT-415	TE/TW-410	15'-9"
B-410	MS-410	7'-0"
B-410	TE/TW-410	7'-0"
B-450	MS-450	2'-0"
B-450	ACW-450	2'-0"
AL-615	MS-615	6'-6"
AL-615	ST-615	6'-6"
B-680	SC-680	7'-0"

EQUIPMENT TAG #	CONNECTION I.D. #	ELEVATION
E-515	MS-335A	7'-0"
E-515	MS-335B	7'-0"
E-515	MS-335C	7'-0"
E-515	MS-335D	7'-0"
E-515	MS-335E	7'-0"
E-515	MS-335F	7'-0"
E-515	MS-335G	7'-0"
E-515	MS-335H	7'-0"
E-515	MS-335I	7'-0"
E-515	MS-335J	7'-0"
E-515	MS-335K	7'-0"
E-515	MS-335L	7'-0"
E-515	MS-335M	7'-0"
E-515	MS-335N	7'-0"
E-515	MS-335O	7'-0"
E-515	MS-335P	7'-0"
E-515	MS-335Q	7'-0"
E-515	MS-335R	7'-0"
E-515	MS-335S	7'-0"
E-515	MS-335T	7'-0"
E-515	MS-335U	7'-0"
E-515	MS-335V	7'-0"
E-515	MS-335W	7'-0"
E-515	MS-335X	7'-0"
E-515	MS-335Y	7'-0"
E-515	MS-335Z	7'-0"



REVISION	DESCRIPTION	CHK	BY	DATE
1	ISSUED FOR CONSTRUCTION	MS	CR	12/14/04
2	REVISION AS NOTED	MS	CR	01/07/05
3	REVISION AS NOTED	MS	CR	01/10/05
4	REVISION AS NOTED	MS	CR	02/09/05
5	REVISION AS NOTED	MS	CR	06/29/05

**PRIMENERGY, L.L.C.**  
 P.O. BOX 581742  
 TULSA, OKLA. 74158

JOB NAME: \_\_\_\_\_  
 LOCATION: \_\_\_\_\_  
 CONTRACTOR: SIEMENS

DATE: 03/10/03  
 SHEET NO.: 001  
 REV: 1

GENERAL ARRANGEMENT - PLAN VIEW